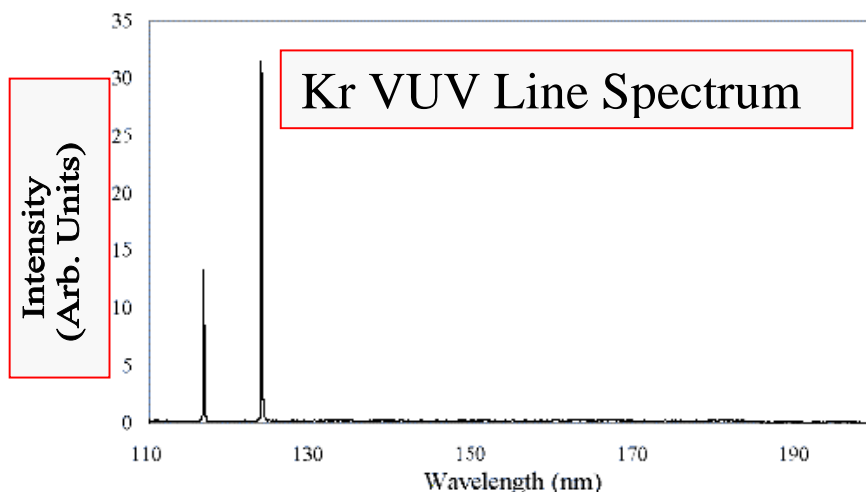


Model No:	Description:
KrLM-L	<p>Krypton Vacuum Ultraviolet (VUV) Line Source</p> <p>This Krypton filled RF powered lamp system is a reliable and maintenance free high intensity source of deep VUV emissions at 116.5 and 123.6 NM. This source mounts to a 2.75 inch CF flange for convenient connection to a HV system. VUV fluxes greater than 3 milliwatts are delivered through the output window for use in vacuum applications such as photoluminescence, photoionization, photolithography and mass spectroscopy.</p>

Electrical /Optical Specifications/General:

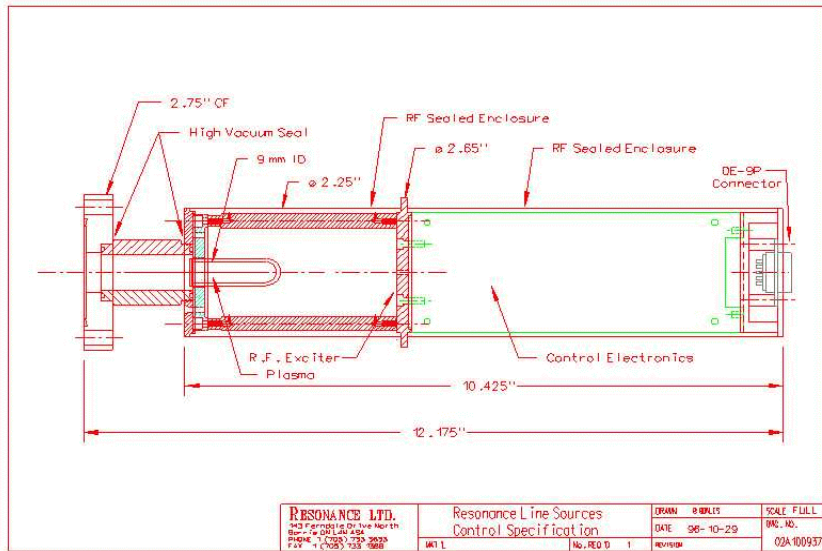
Specification	Minimum	Typical	Maximum	units
Gas Fill		Krypton		na
Peak wavelengths	-	116.5, 123.6 nm	-	NM
Full Spectral Range	-	129 to 7,000	-	NM
VUV Intensity	3 x 10¹⁵	5 x 10¹⁵	8 x 10¹⁵	Photons/sec/steradian
Full angle output cone	30	45	65	Degrees
Window Material		MgF₂		na
Clear Aperture of window		0.9		CM.
Pulse	Modulation to 1 kHz available as option			
Certification	Calibration of Irradiance in Vacuum			
Plasma diameter	0.8	0.9	1.0	CM.
Plasma length	2	2.5	3.0	CM.
Input Power	20	25	30	Watts
Input voltage	95	115	260	VAC
Input Line Frequency	50	60	65	Hz
Mounting flange	2.75 inch Conflat is standard, lamp can be sealed to 10 ⁻⁷ torr system			
Cooling	Air cooling			
Intensity monitor	Intensity monitor available as an option			
Thermal control	na			
System	Complete system includes AC to DC power supply, RF power supply, EMI shielded enclosure, Vacuum flange, case, manual and calibration			

7



Mechanical Specifications

CF Flange



RESONANCE LTD. 143 Ferndale Drive North Barrie, ON L4M 4S4 PHONE: (705) 733-3633 FAX: (705) 733-1388	Resonance Line Sources Control Specification	DRAWN: G.WALIS DATE: 96-10-29 REVISION:	SCALE: FULL DWG. NO.: 02A100937 ©control.dwg
---	---	---	---

Materials/misc. specs.	
Window	Magnesium Fluoride
Body	Aluminum
Mass	<1 kg. incl. pwr. supply
Vacuum Adapter	Stainless Steel
Power Supply	2 x 2.5 x 6 in

Light source showing magnesium fluoride window (vacuum adapter removed)

