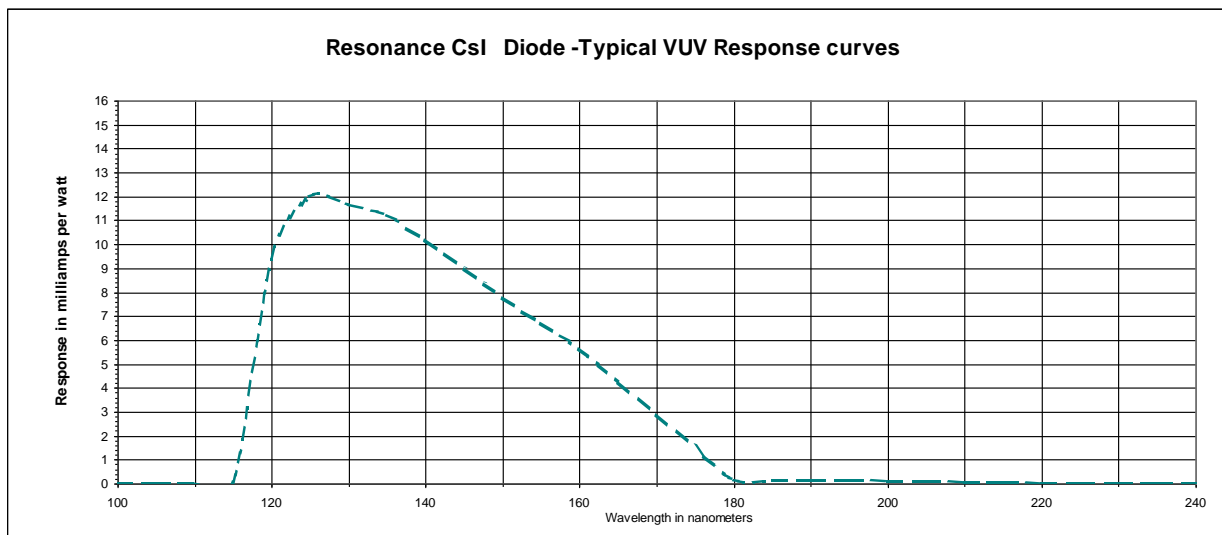


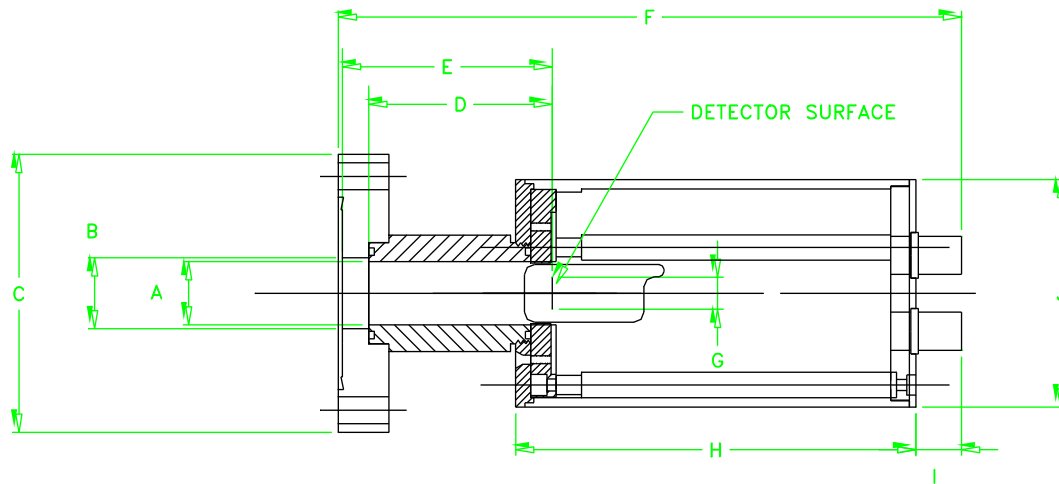
Model No:	Description:
CsIM-D-L	This is a VUV CsI diode detector. This product has a magnesium fluoride window and can be mounted directly onto a vacuum system via a 2.75" conflat flange with an adapter. This diode (typically) has a 10% peak quantum efficiency.

Electrical /Optical Specifications:				
Specification	Minimum	Typical	Maximum	Units
Anode Supply Voltage	10	15	100	Vdc
Spectral Response	-	112-180	-	nm
Window Material		MgF <sub>2</sub>		-
Peak wavelength	-	125	-	nm
Photo-cathode diameter	-	8	-	mm
Peak Cathode current	-	-	1.2	uA
Average Cathode current density	-	-	5	uA/cm <sup>2</sup>
Average Cathode current	-	-	0.4	uA
Luminous sensitivity	-	-	-	uA/lm
Radiant sensitivity for 122 nm	-	11	-	mA/W
Radiant sensitivity for 125 nm	-	12	-	mA/W
Radiant sensitivity for 160 nm	-	5.5	-	mA/W
Temperature range	-80	-	+50	° C
Capacitance between electrodes	-	2.4	-	pF
Dark Current	-	1	-	pA

Electrical Interface			
Nomenclature	description	Connector type	Required (y/n)
Anode	Bias voltage for supply	BNC type	Y
Cathode	Output current for signal	BNC type	Y

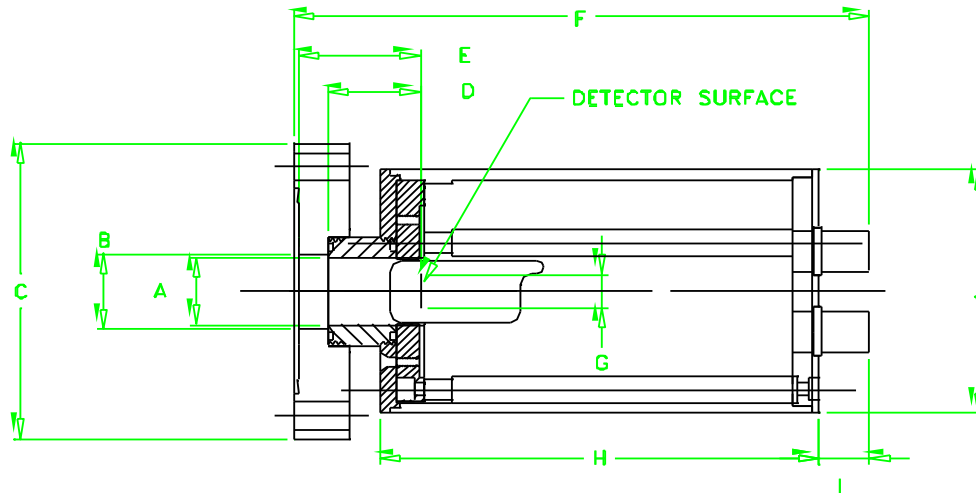


### Mechanical Specifications (configuration A)



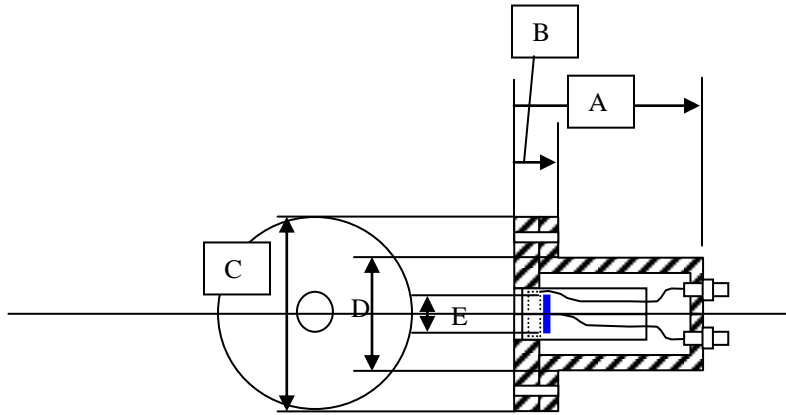
Dimension	Value	Unit
A	0.625 / 15.31	Inches/mm
B	0.700 / 17.15	Inches/mm
C	2.75 / 67.38	Inches/mm
D	1.812 / 44.39	Inches/mm
E	2.072 / 50.76	Inches/mm
F	6.150 / 150.68	Inches/mm
G	0.315 / 7.72	Inches/mm
H	3.949 / 96.75	Inches/mm
I	0.450 / 11.03	Inches/mm
J	2.250 / 55.13	Inches/mm
Tolerances	±0.005 / 0.12	Inches/mm
Materials		
Window	Quartz	
Body	Aluminum	
Vacuum Adapters	Stainless Steel	

### Mechanical Specifications (configuration B)



Dimension	Value	Unit
A	0.625 / 15.31	Inches/mm
B	0.700 / 17.15	Inches/mm
C	2.75 / 67.38	Inches/mm
D	0.837 / 20.51	Inches/mm
E	1.097 / 26.88	Inches/mm
F	5.175 / 126.79	Inches/mm
G	0.315 / 7.72	Inches/mm
H	3.949 / 96.75	Inches/mm
I	0.450 / 11.03	Inches/mm
J	2.250 / 55.13	Inches/mm
Tolerances	±0.005 / 0.12	Inches/mm
Materials		
Window	Quartz	
Body	Aluminum	
Vacuum Adapters	Stainless Steel	

### Mechanical Specifications (configuration C)



Dimension	Value	Unit
A	1.55	Inches
B	0.35	Inches
C	1.50	Inches
D	1.040	Inches
E	8.0	mm
Tolerances	$\pm 0.005 / 0.12$	Inches/mm
Materials		
Window	Quartz	
Body	Aluminum	